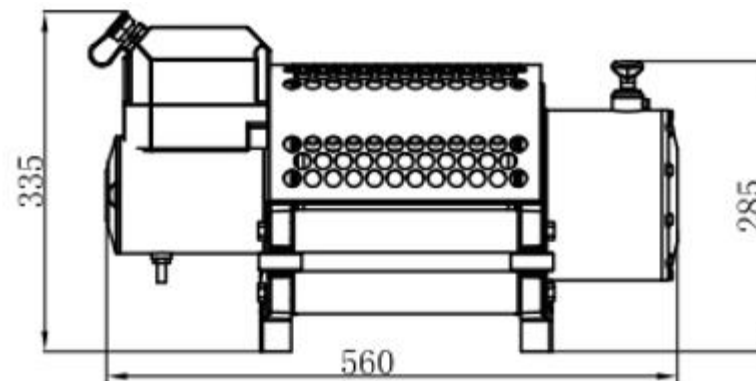


# WINCHMAX 20,000lb 12v/24v Electric Winch



## Specifications

<b>Performance</b>	12VDC/24VDC
<b>Rated line pull</b>	20000lb(9091kg)
<b>Motor</b>	6.3HP/4.75KW, Series Wound
<b>Control</b>	Remote switch 12ft(3.7m)lead
<b>Gear train</b>	4 Stage Planetary
<b>Gear reduction ratio</b>	544:1
<b>Braking Action</b>	Automatic In-The Drum
<b>Drum size</b>	Diameter 3.5*(89mm)Length 9*(228.6mm)
<b>Cable</b>	14mm of 26m diameter(9/16"x85')
<b>Fairlead</b>	4-Way Roller Fairlead
<b>Remote Control</b>	Include
<b>Battery</b>	Recommended:650CCA minimum for winching
<b>Weight</b>	N.W.137bs(62kg)G.W.141lbs(64kg)
<b>Overall dimensions</b>	(LxWxH)22.7"x11.9"x13.2*(576x302x335mm)
<b>Mounting Bolt Pattern</b>	10"x4.5*(254mmx114.3mm)



Line Pull(lbs/kgs)	Line Speed FPM(m/min)	Motor(Amps)
0	16.73ft(5.1m)	82A
4000	8.20ft(2.5m)	128A
8000	7.22ft(2.2m)	210A
12000	6.23ft(1.9m)	278A
16000	4.92ft(1.5m)	365A
20000	3.61ft(1.1m)	420A

Layer	Rated Line Pull(lbs/kgs)	Total Rope On Drum(ft/m)
1	20000(9091)	15.62(4.76)
2	15725(7132)	35.43(10.8)
3	12956(5877)	59.55(18.15)
4	11016(5336)	85.30(26)